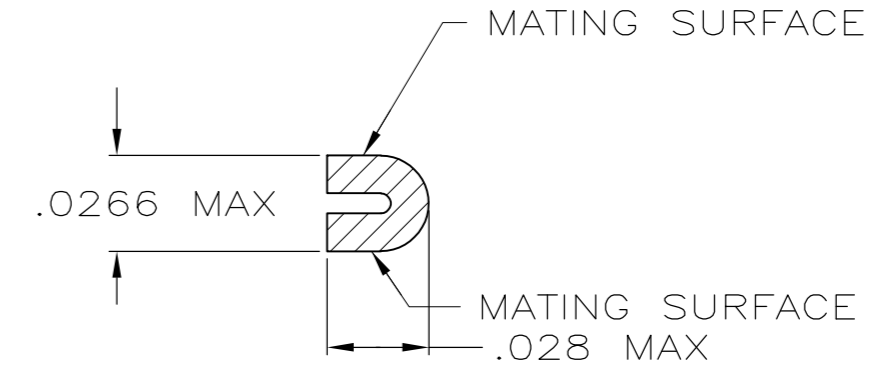
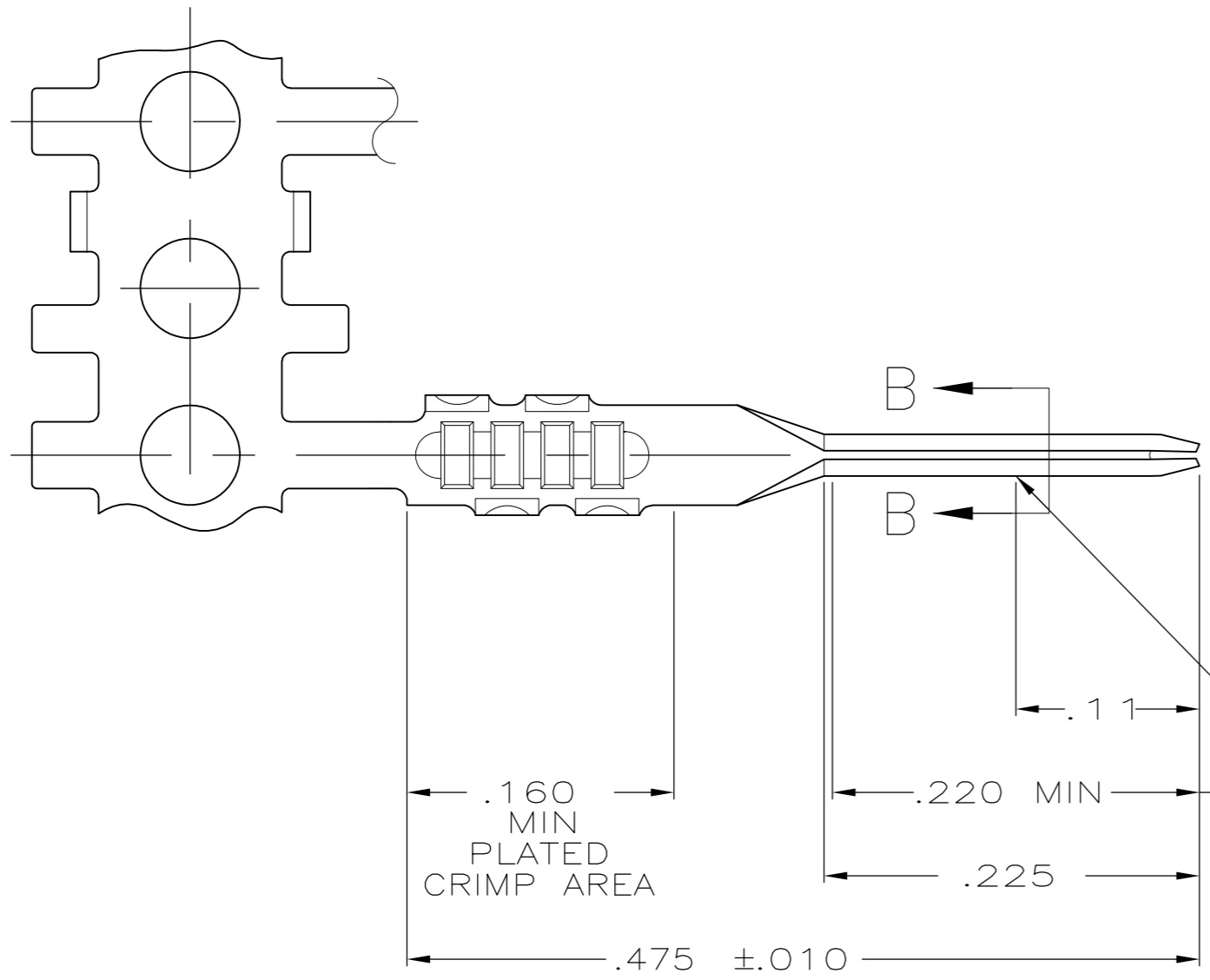
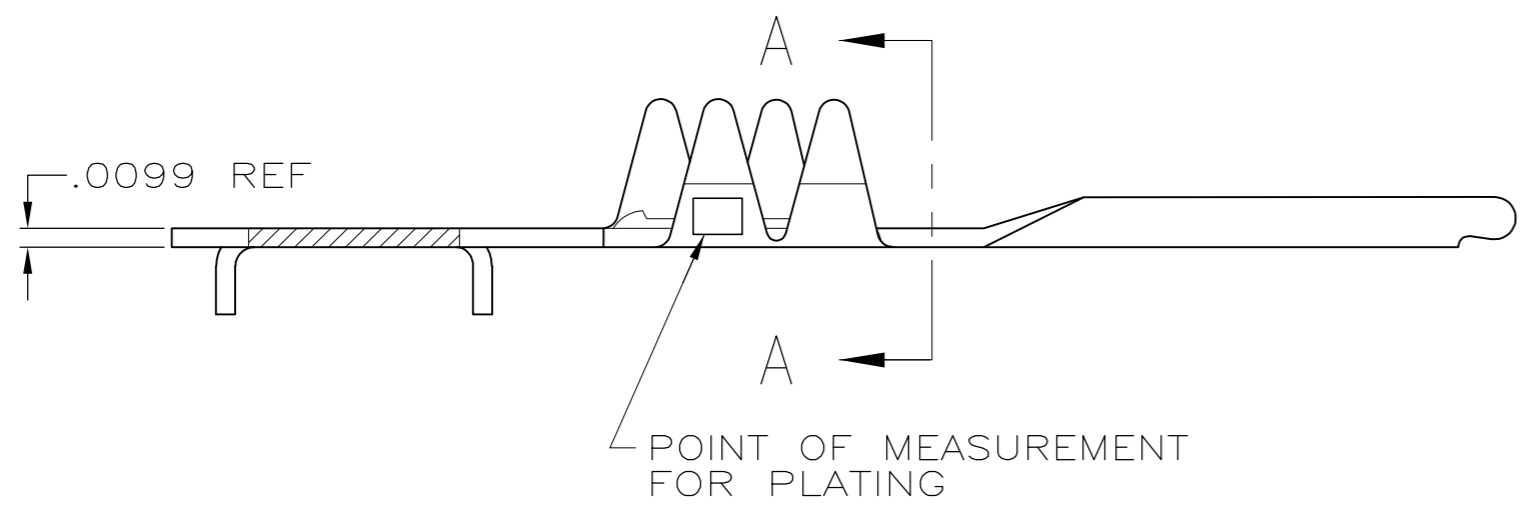


THIS DRAWING IS UNPUBLISHED. RELEASED FOR PUBLICATION  
 © COPYRIGHT BY TYCO ELECTRONICS CORPORATION. ALL RIGHTS RESERVED.

LOC	DIST	REVISIONS			
P	LTR	DESCRIPTION	DATE	DWN	APVD
GP	00	M	REVISED PER ECO-08-005709	18FEB08	JDP/CWR



SECTION B-B



SECTION A-A

- 1 NICKEL UNDERPLATE .000050 MIN THK ON ENTIRE CONTACT WITH GOLD .000015 THK ON LOCALIZED PLATE AREA AND BRIGHT TIN-LEAD .000100 MIN THK IN CRIMP AREA
- 2 BRIGHT TIN-LEAD .000100 MIN THK OVER NICKEL UNDERPLATE .000050 MIN THK ON ENTIRE CONTACT
- 3 GOLD FLASH IN PLATED CRIMP AREA, .00015 MIN GOLD ON LOCALIZED PLATE AREA, BOTH OVER .000050 MIN NICKEL ON ENTIRE CONTACT.
- 4 GOLD FLASH IN PLATED CRIMP AREA, .00100 MIN TIN IN LOCALIZED PLATE AREA, BOTH OVER .000050 MIN NICKEL ON ENTIRE CONTACT.

3	88976-5
4	88976-4
1	88976-3
2	88976-2
FINISH	PART NO

SUPERSEDED BY 88976-5

THIS DRAWING IS A CONTROLLED DOCUMENT.		DWN P. BERRY 3-21-86	Tyco Electronics Corporation Harrisburg, PA 17105-3608	
DIMENSIONS: INCHES		CHK D. WORTHINGTON 3-24-86	NAME CONTACT, FFC .100CL, .025 SQ PIN	
TOLERANCES UNLESS OTHERWISE SPECIFIED:		APVD R. SMITH 3-25-86	RESTRICTED TO	
0 PLC ± -	1 PLC ± -	PRODUCT SPEC 108-9024	SIZE A2	CAGE CODE 00779
2 PLC ± .02	3 PLC ± .005	APPLICATION SPEC 114-16015	DRAWING NO C=88976	SCALE NTS
4 PLC ± -	ANGLES ± -	MATERIAL PHOS BRONZE	WEIGHT -	SHEET 1 of 1
FINISH SEE TABLE		CUSTOMER DRAWING		REV M